

# FASTAIRE HAND DRYERS INC.

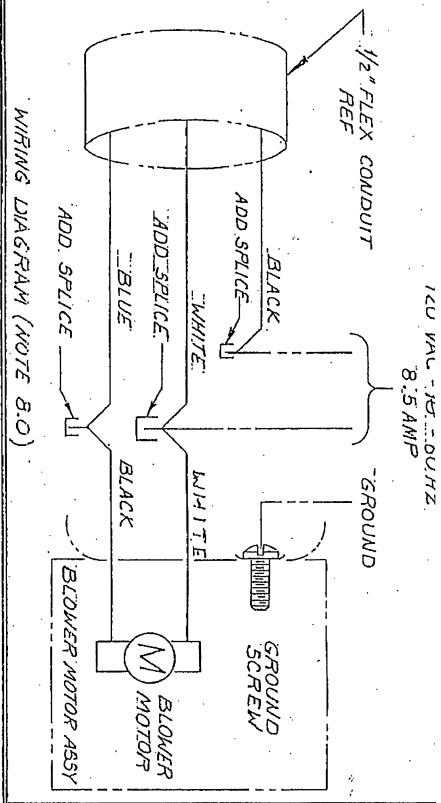
vandal resistant hand dryers made in the USA

Model: HDO4

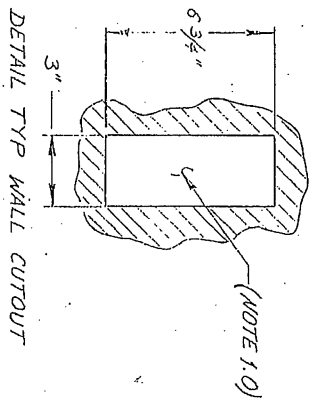
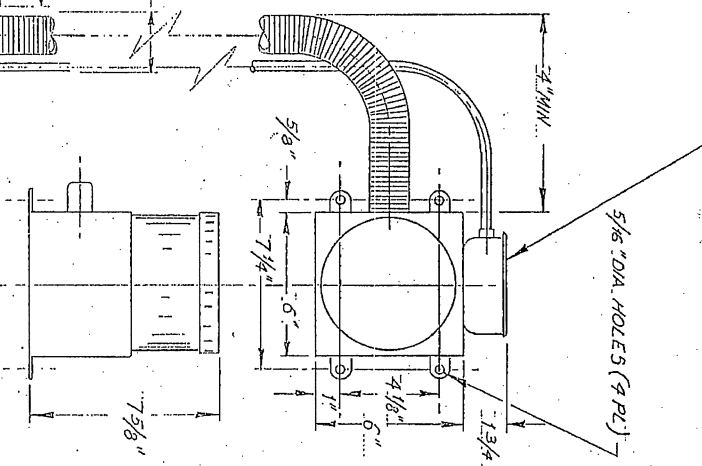


## Specifications

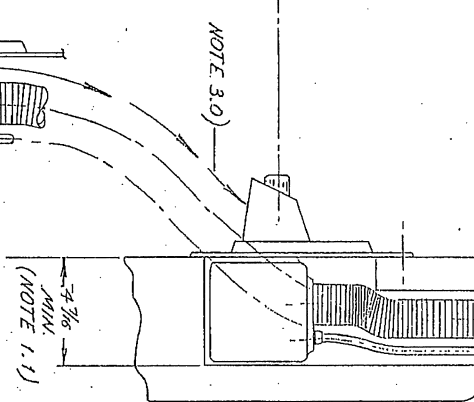
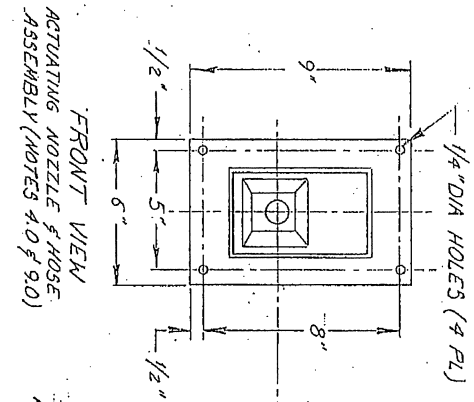
- 120v 7.0amp
- 220v available
- UL listed
- ADA compliant
- **Approximately \$0.04 per 200 cycles VS \$0.02 per paper towel**
- **Can help projects qualify for LEED (Leadership in Energy and Environmental Design) Credits**
- **Manufactured in the U.S.A**
- **No heating element to burn out—which is a common cause of failure** (our unit warms the air using compression and existing heat from blower brushes).



ELECTRICAL ACCESS COVER  
(NOTES 6.0 & 8.0)



DETAIL TYP WALL CUTOUT  
1/4" DIA HOLES (4 PL)  
2 3/8" MIN. DIA (NOTES 1.1 & 2.0)



FRONT VIEW  
ACTUATING NOZZLE & HOSE ASSEMBLY (NOTES 4.0 & 9.0)

FLOOR LINE

SPECIFICATIONS

- 1.0 NOZZLE CAST ALUMINUM, SANDBLAST FINISH AND CLEAR SEALANT.
  - 2.0 MOTOR UNIVERSAL TYPE; 1/6 HP WITH LUBRICANT BALL BEARINGS 2-STAGE BLOWER AND FILTER.
  - 3.0 TIMER 30 SECOND TIME TO SHUT OFF AFTER START.
  - 4.0 AIR FLOW 50 CFM; APPROX.
  - 5.0 POWER 120 VOLTS, 1  $\phi$ , 60 HZ., 8-5 AMP AC. NO ELECTRIC HEATING COILS.
  - 6.0 WEIGHT 16 LBS.
- NOTES:
- 1.0 PREPARE WALL WITH 3" X 6 3/4" CUTOUT.
  - 1.1 NOTE MAXIMUM AND MINIMUM CLEARANCES REQUIRED TO ENABLE ACTUATING NOZZLE AND HOSE ASSEMBLY TO BE MOUNTED IN WALL.
  - 2.0 FLEX HOSE AND 1/2" FLEX CONDUIT WILL PASS THRU A 2 3/8" MIN. OPENING.
  - 3.0 FISH FLEX HOSE AND 1/2" FLEX CONDUIT THRU HOLE TO APPROXIMATE LOCATION OF BLOWER ASSEMBLY.
  - 4.0 SELECT APPROPRIATE HARDWARE TO SECURE NOZZLE TO WALL.
  - 5.0 TERMINATE FLEX HOSE ON PLASTIC NOZZLE PROVIDED ON SIDE OF BLOWER HOUSING.
  - 6.0 REMOVE ELECTRICAL ACCESS COVER, ROUTE BLACK, WHITE, AND BLUE WIRES THRU CONNECTION PROVIDED IN SIDE OUTLET BOX. SECURE 1/2" FLEX CONDUIT WITH BOX CONNECTOR PROVIDED.
  - 7.0 SECURE BLOWER MOTOR WITH APPROPRIATE HARDWARE. BLOWER MOTOR MAY BE MOUNTED VERTICAL, HORIZONTAL, OR INVERTED AS INDIVIDUAL INSTALLATIONS MAY REQUIRE.
  - 8.0 ROUTE EXTERNAL POWER TO THE BLOWER MOTOR ASSY. OUTLET BOX AND TERMINATE ALL WIRING PER WIRING DIAGRAM. SECURE COVER ON OUTLET BOX.
  - 9.0 TAMPER PROOF MOUNTING HARDWARE FOR NOZZLE ASSEMBLY NOT SUPPLIED WITH UNIT.

CONTROLLED DRAWING

REVISIONS (SEE ICON)	DATE	BY	CHK
D	7/12/94	1	
	7/22/94	2	
		3	
		4	
		5	

CUSTOMER REF. MAIL		FRISTRIFE	
P.O. BOX 9936		5000 Mingo CR 92369	
Phone or FAX (619) 454-5548			
TITLE: OUTLINE DRAWING		SCALE: 1/4"	
EXTERIOR WALL MOUNTED		DWG NO: HD-04	
FRISTRIFE		REV: D	
HAND DRIVER		LTR:	
DESIGNED BY: R. J. JONES	CHECKED BY: M. R. JONES	DATE: 7/12/94	DATE: 7/12/94
DESIGN NO: 1000000000	DATE APPROVED: 7/12/94	DATE: 7/12/94	DATE: 7/12/94
UNLESS OTHERWISE SPECIFIED LIMITS ON DIMENSIONS ARE: ORIGINAL XX ± .01		ANNUAL ± .01	