

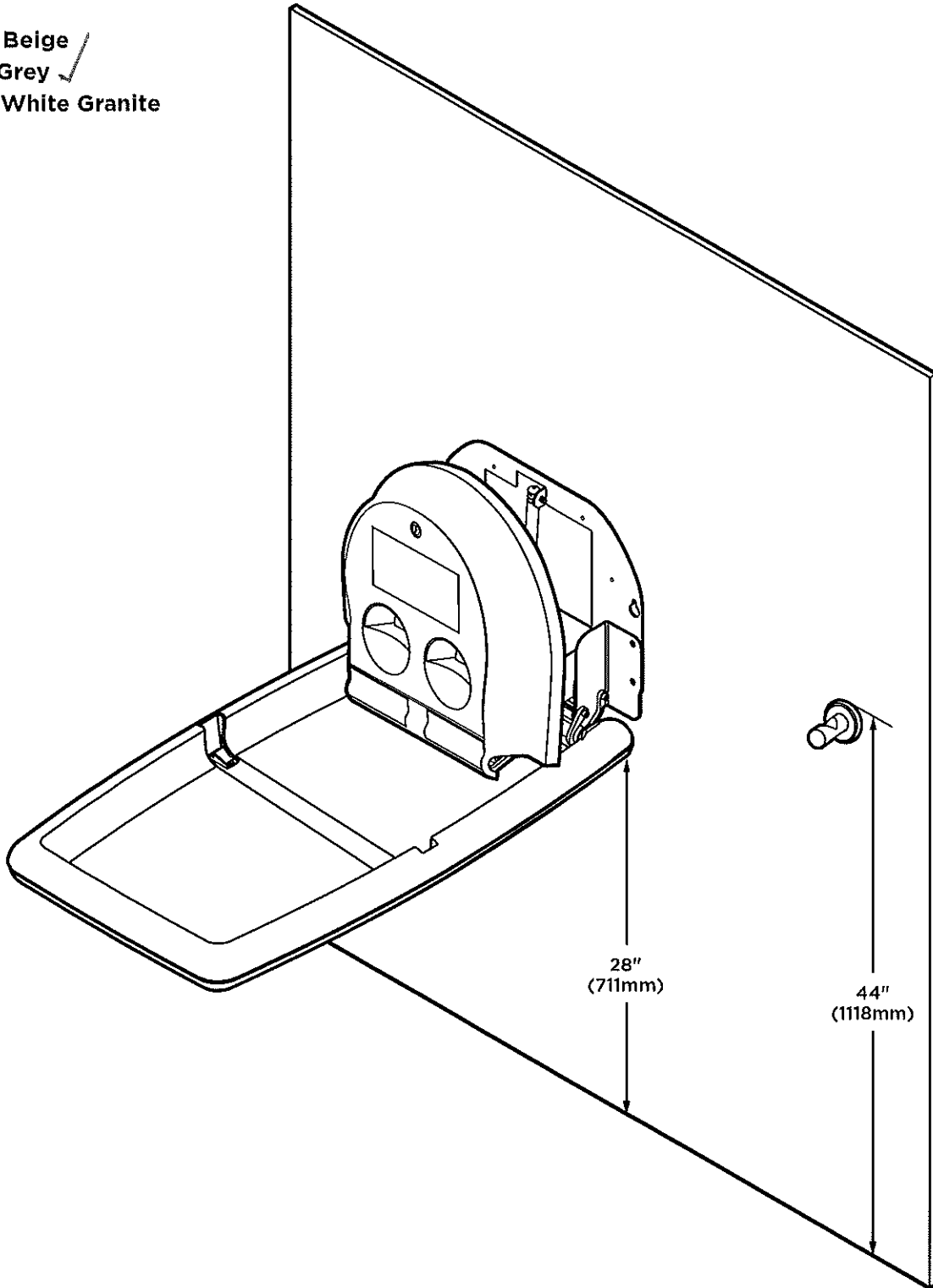


KB301 Baby Changing Station

Technical Data Sheet

Color

- KB301-00 Beige
- KB301-01 Grey ✓
- KB301-05 White Granite

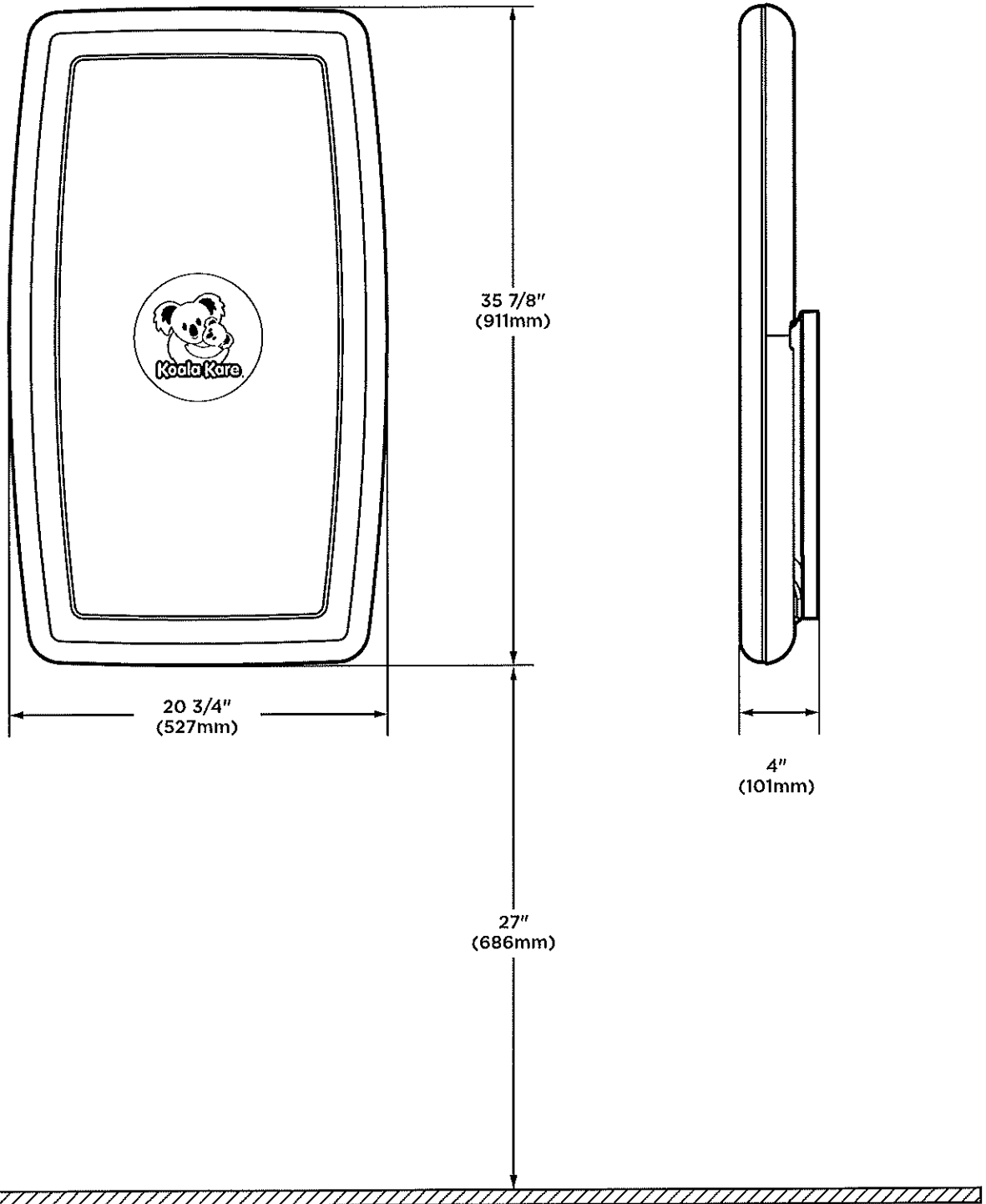


*Diagrams are not to scale.



KB301 Baby Changing Station

Closed Position

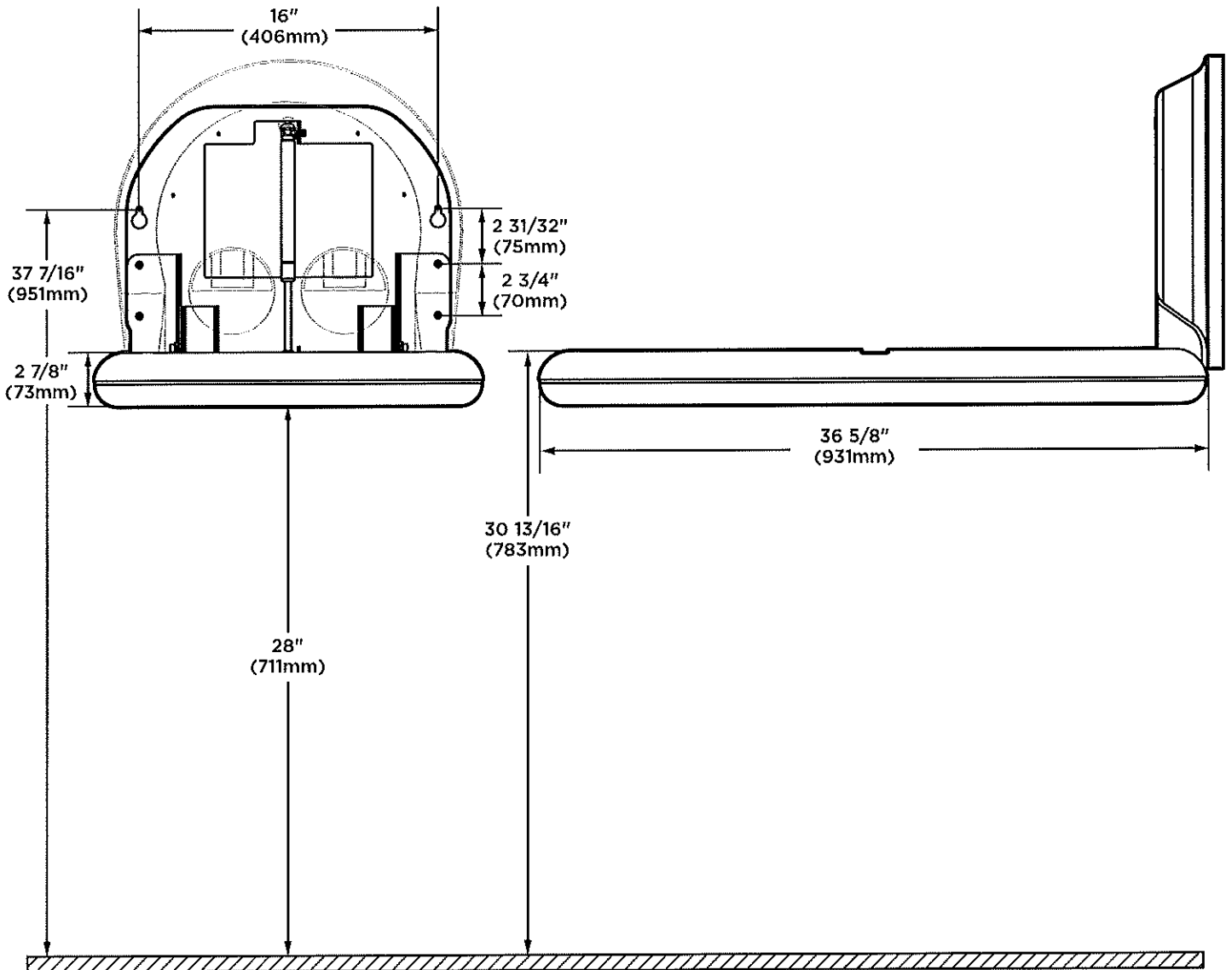


*Diagrams are not to scale.



KB301 Baby Changing Station

Open Position



*Diagrams are not to scale.



KB301 Baby Changing Station Information

Material

Injection-molded polypropylene with Microban® antimicrobial additive embedded into the bed surface. Reinforced steel-on-steel hinge mechanism and metal mounting chassis with mounting hardware included. Labeled usage instructions and safety messages in four languages. Optional Braille label available. Contoured changing surface area is 535 sq. in (3452 sq. cm) and comes complete with impervious TPU safety strap and solid stainless steel external bag hook. Dual cavity liner dispenser holds approximately 50 KB150-99 bed liners.

Operation

Concealed pneumatic cylinder and metal mounting chassis provides controlled, slow opening and closing of bed. Polypropylene is easy to clean and resists odors and bacterial growth. Complies with ASTM static load performance requirements when properly installed. Internal liner dispenser with integrated spring tab dispensed one liner at a time.

Warning: To ensure that the unit supports the intended loads, baby changing stations must be properly installed according to the manufacturer's instructions.

Specification

Baby changing station body shall be durable, injection-molded polypropylene. Design of unit shall be surface-mounted. Unit shall be equipped with a pneumatic cylinder for controlled opening and closing of bed. Bed shall be secured to metal mounting chassis with a concealed steel-on-steel hinge. No hinge structure shall be exposed on interior or exterior surfaces. Unit shall have mounting hardware included. Unit shall have Microban® antimicrobial embedded into plastic material on the changing surface. Unit shall comply with ADA regulations when properly installed. Bed shall have smooth concave changing area with a safety strap and external stainless steel hook for bags or purse provided.

The design and manufacture of Koala products is intended to be compliant with the 2010 ADA Standards for Accessible Design and the 2009 ICC A117.1, Accessible and Usable Buildings and Facilities. Unit shall conform to ASTM F2285-04(16) Standard Safety Performance Specification for Diaper Changing Tables for Commercial Use, ANSI Z535.4 Product Safety Signs and Labels, EN 12221:2008+A1: 2013. Unit shall have a built-in Liner Dispenser for use with 3-ply chemical free biodegradable bed liners, instructional graphics and safety messages in 4 languages. Unit shall be backed by manufacturer's 5-year limited warranty on materials and workmanship and include a provision for replacement caused by vandalism.

Unit shall be manufactured in the U.S.A.

ADA Requirements

Additional information on how this product complies with ADA requirements can be found in the *KB300 & KB301 Baby Changing Stations Accessibility Compliance* document on www.koalabear.com.

The illustrations and descriptions herein are applicable to production as of the date of this Technical Data Sheet. The manufacturer reserves the right to, and does from time to time, make changes and improvements in designs and dimensions without notice.

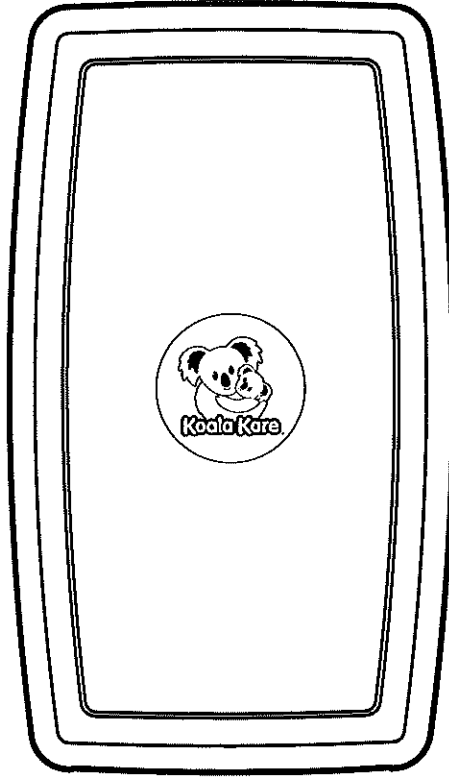
Koala Kare Products
A Division of Bobrick

6982 South Quentin Street, Centennial, CO 80112-3945
Main: 303.539.8300 | **Toll Free:** 888.733.3456 | **Fax:** 303.539.8399
Website: koalabear.com | **Email:** customerservice@koalabear.com



Koala Kare Products

Installation & Operations Instructions



KB301

Surface-Mounted Baby Changing Station

Cambiador Plegable
Table à Langer
Babywickelstation



Important. Retain for future reference. Read carefully.
Importante. Guárdelo para futuras consultas. Leer atentamente.
Important. À conserver pour de futurs besoins de reference. À lire attentivement.
Wichtig. Zur späteren bezugnahme aufbewahren. Bitte sorgfältig durchlesen.

The KB301 Baby Changing Stations have been designed to meet the following applicable provisions of the 2010 ADA Standards (ADAS) and the 2009/2017 International Code Council (ICC) A117.1 Standards when properly installed and maintained. To comply with these accessibility requirements the unit must be installed in a compliant location and height in accordance with the installation instructions.

You are responsible for the safe operation of this unit.



KB301

Operations Instructions

Please Note

To assure proper installation, it is suggested that a qualified person or carpenter install the Koala Baby Changing Station. Koala Kare Products will not be responsible if the station is not installed properly. Koala Baby Changing Stations have been tested to hold a substantial static load. The unit must be attached to a permanent wall that is capable of holding a substantial load. The maximum recommended total weight for this baby changing station (including baby and parcel bag) is 50lbs. Excessive weight may cause a hazardous or unstable condition to exist.

Inspection Criteria

A properly maintained baby changing station:

- Opens and closes smoothly.
- Has a functioning strap and buckle. Strap is held firmly in place when buckle is depressed over it.
- Offers parents liners through a fully stocked liner dispenser. (Dispenser built into unit.)
- Provides a clean, convenient place for customers to attend to their children.

Restraint System

Check strap by releasing the lever on the buckle and pulling one end of the strap up through the bottom of the buckle, depressing the lever when the strap is tight. Give the strap a tug in the horizontal direction away from the buckle, checking that the strap remains in place beneath the buckle. To loosen the strap, release the lever and pull the strap from the bottom of the buckle.

Cleaning and Maintenance

We recommend that the surface of the unit be cleaned prior to disinfecting. Use a clean nylon brush to loosen and remove soil from the

textured surfaces or a rag. We recommend that you use disinfectants and detergents that do not contain overwhelming fragrances that can mask inappropriate smells.

ASTM F2285-04 (2016)

- ⚠ **WARNING:** Never leave child unattended.
- ⚠ **WARNING:** Avoid serious injury from falling or sliding out. Always use restraint system.
- ⚠ **WARNING:** Designed for Infants Only. Age up to 3.5 years and weighing less than 50 lb (22.7 kg). Keep one hand on the child at all times.
- ⚠ **WARNING:** Parcels or accessory items, or both, placed on the unit may cause the unit to become unstable.



Replacement Parts

For a detailed instructions and a list of replacement parts for this product, (such as straps, shocks and labels) please visit www.koalabear.com.

Replacement parts and additional liners can be purchased from your local distributor or direct from Koala at www.koalabear.com.

ADA Requirements

Additional information on how this product complies with ADA requirements can be found in the *KB300 & KB301 Baby Changing Stations Accessibility Compliance* document on www.koalabear.com.

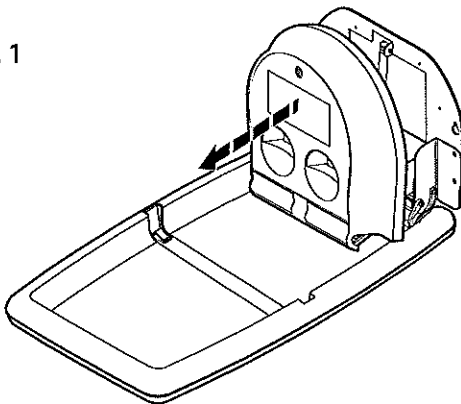


KB301 Installation Instructions

Step 1:

- Inspect contents and remove changing station from the shipping container and check for any freight damage. If damage is found, please call Koala Kare Products' Customer Service at 888.733.3456.
- Identify the best location for installing the unit.

Fig. 1



Step 2:

- Remove the bed and chassis from the box. Open the main unit by pulling up on the frame and remove the plastic liner dispenser. Set it to one side. **Fig. 1**
- Make sure you have taken into consideration the operating clearance of 1 3/4" (45mm) on both sides of the exposed chassis and 36 5/8" (238mm) from wall surface when open.

For Wood Stud Wall

- Measure from the floor 37 7/16" (951mm) on stud center and mark the wall. The mounting holes are designed for 16" (406mm) stud centers. Ensure the locations you have marked for the mounting holes are level before drilling. **Fig. 2** Drill pilot holes for keyhole mounting using a 1/8" regular drill bit.
- If the wall has wooden studs that are not on 16" (406mm) centers, you will need to use toggles to secure one side of the unit. The other side should be secured to the stud using the screws provided. You must allow for space inside the wall for the toggles to turn. This will vary depending on the toggles used.

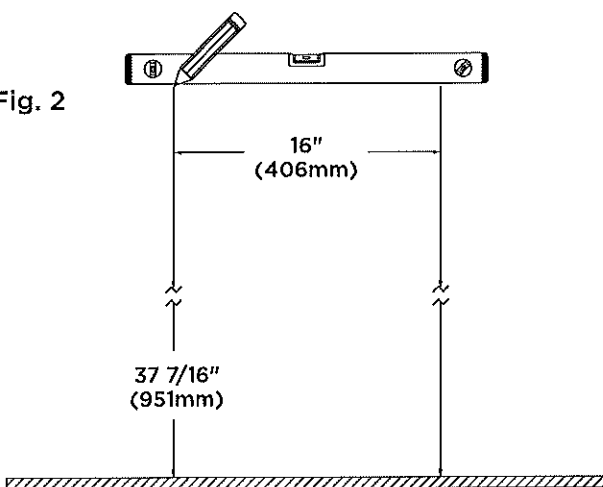
For Masonry or Tile over Stud Wall

- Use a 7/32" (5mm) masonry drill bit for the pilot hole until you hit the stud. Change bit to 1/8" (3mm) regular drill bit.

For Metal Stud or Concrete Block

- If the wall has metal studs or an underlying surface of concrete block, you will need to use toggles to secure one side of the unit. The other side should be secured to the stud using the screws provided. You must allow for space inside the wall for the toggles to turn. This will vary depending on the toggles used.

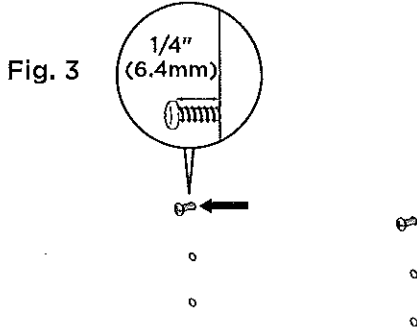
Fig. 2





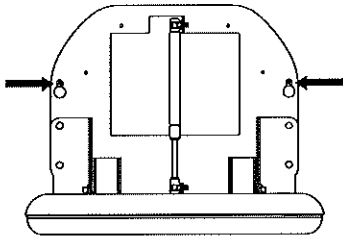
KB301 Installation Instructions

Step 3:



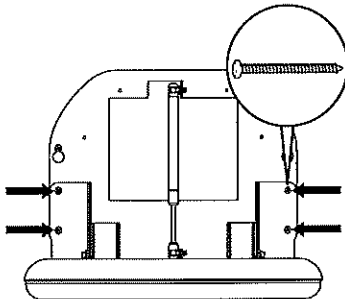
- Mount bed and chassis by screwing two of the mounting screws into the pilot holes leaving 1/4" (6.4mm) exposed to allow keyhole slots to be easily mounted over the screw heads. **Fig. 3**
- Place chassis over screws. **Fig. 4**
- After securing the unit using the keyhole slots, verify that the unit is level. Tighten top two screws so that they are flush with the wall.
- Use the four lower holes as a guide to mark and drill pilot holes. Use remaining four screws and four washers to complete installation of bed and mounting bracket. Insert washers over lower four screws. **Fig. 5**
- All six screws and four washers must be properly mounted to the chassis.

Fig. 4



Step 4:

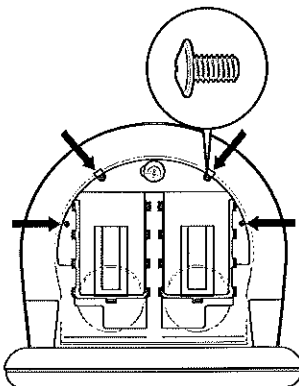
Fig. 5



- To install liner dispenser ensure liner dispenser is free from damage. Remove key, unlock, and open liner dispenser lid. This will expose liner dispenser mounting holes.
- Line up dispenser mounting holes onto chassis and secure with the four screws provided. **Fig. 6** Close and lock the liner dispenser door.

Step 5:

Fig. 6



- Clean work area and inspect unit to ensure it opens and closes smoothly.